

H-20



*The
Edge*

*Value
with
Elegance*

*Insulating
windows
that give
you
"The Edge"
you need
today.*



An insulating window must be a performer.

The proven performance of THE EDGE leads the industry. But, that's just the beginning.

A good quality window will require little maintenance.

Every component of THE EDGE has been carefully designed to be durable and maintenance-free, from the 6063 T6 extruded aluminum to the strong, zinc die-cast latches.

Since insulating windows become a permanent addition, they should not detract from the beauty of your home.

Homeowners tell us that the attractive offset-type window frame adds unmatched beauty you can be proud of.

All of these superior qualities add up to the insulating value you need today.

Projected frame design adds air space for better insulation.

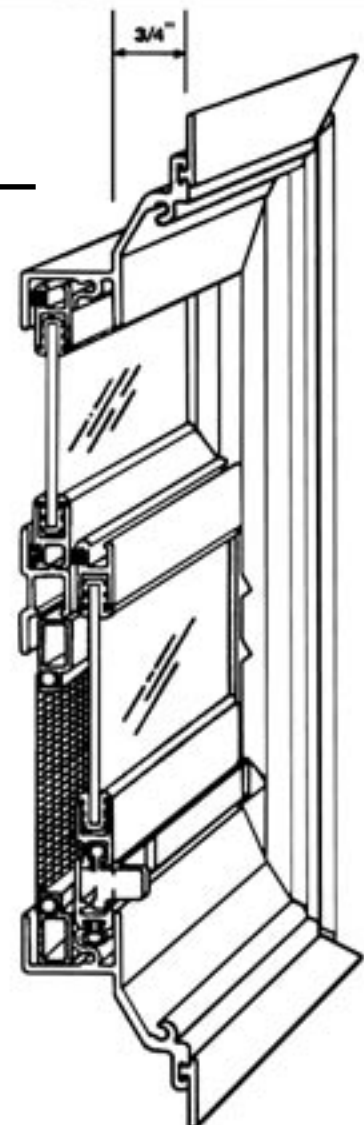
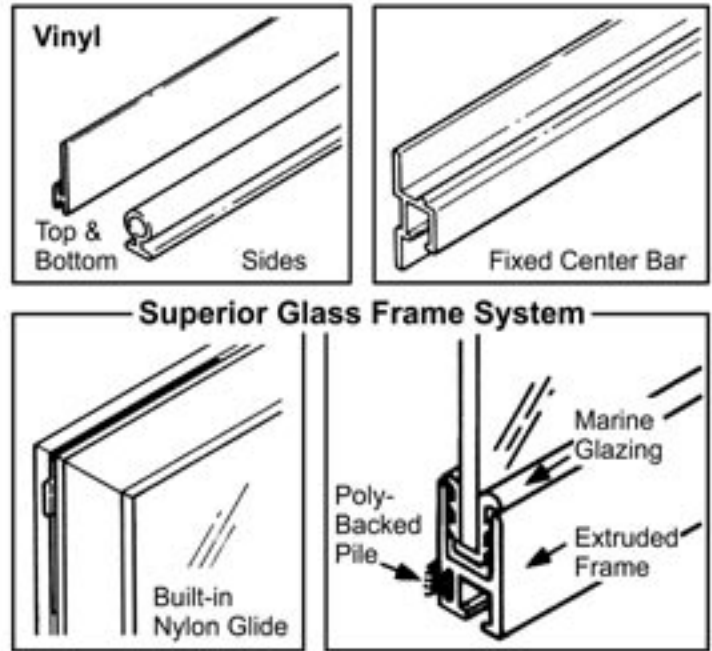
Geon vinyl thermal barrier insures positive seal and insulation between prime and insulating windows.

Marine-type glazing warps around glass to reduce breakage and air infiltration.

Quality extruded glass frames for added strength and long life.

Poly pile weatherstrip offers superior seal combined with long life.

Heavy-duty extruded center bar adds strength and insured proper sash operation.



Available From